

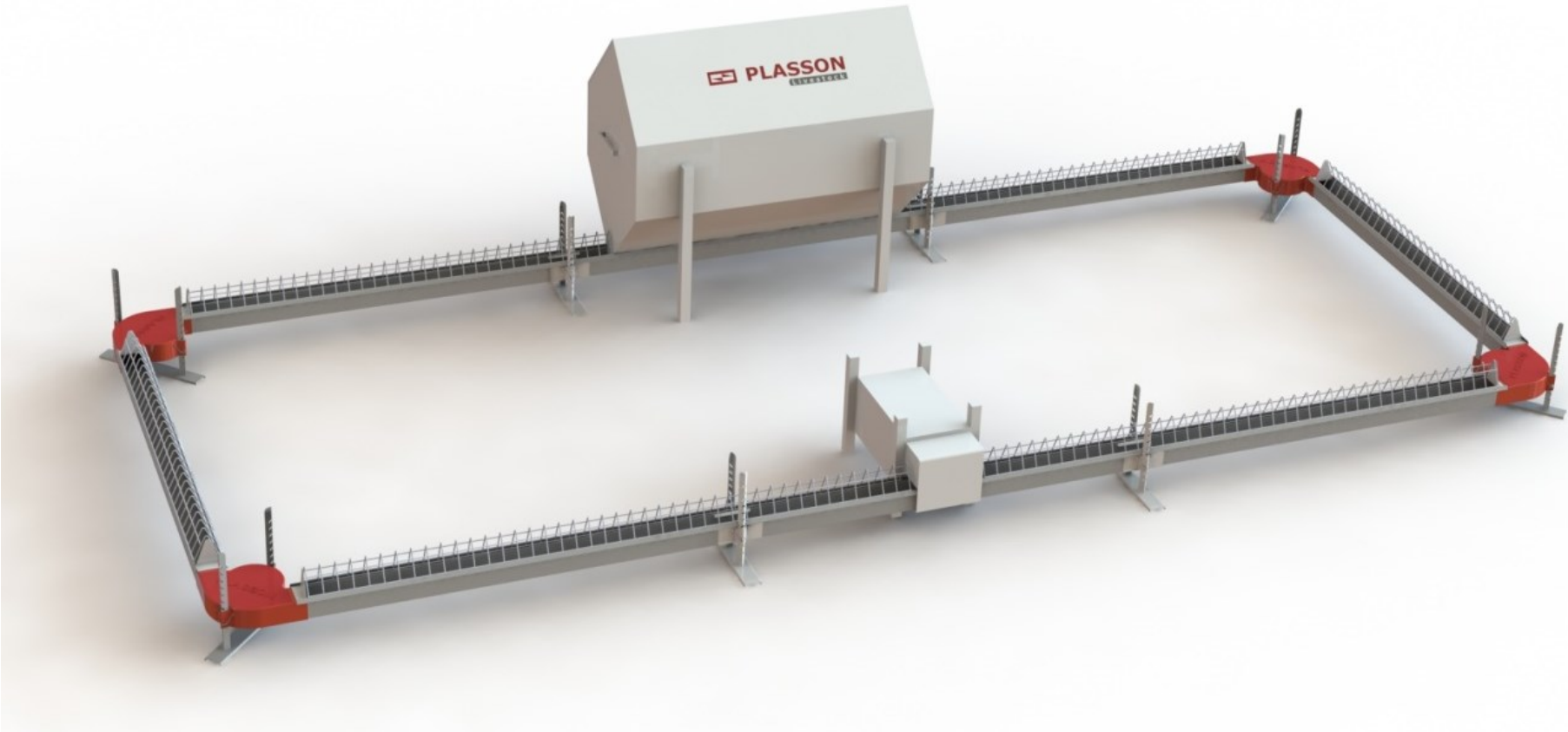


# Chain Feeding System



 **PLASSON**<sup>®</sup>  
Livestock

# Chain Feeding System

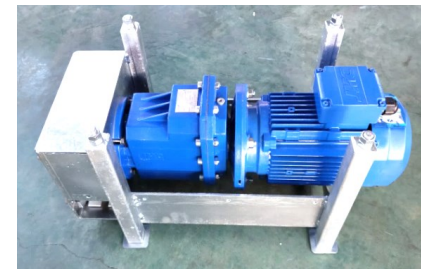
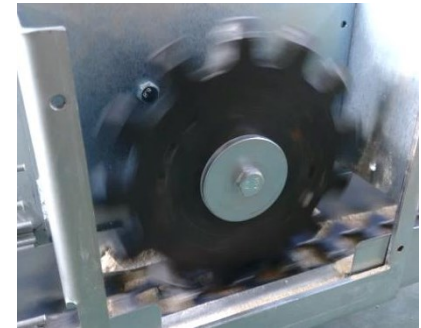


# Chain Feeder System For Pullets And Breeders

- For fast and even feed distribution
- Enable multiple configuration combinations in the house
- Recommended with full suspension option for easy access to the nests and easy cleaning at the end of the flock, but can be with legs or on the floor
- High quality and durability
- Easy and fast installation
- Maintenance free

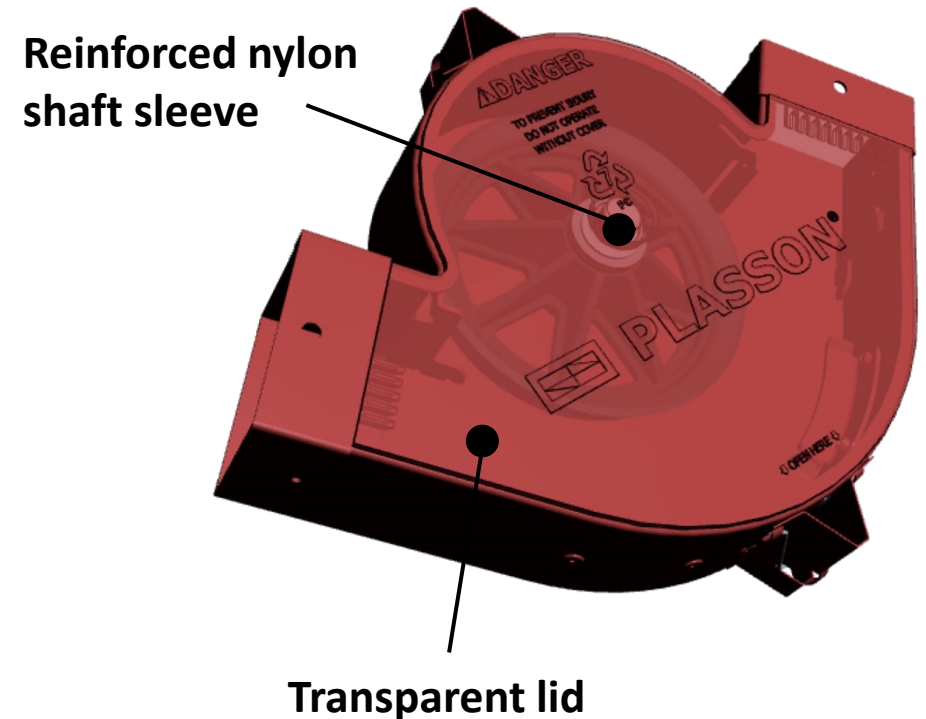
# Drive Unit

- Chain speed: 36m/min; guarantees uniform feed distribution and reduces bird stress
- 1.1Kw (1.5HP) Single or Triple phase motor
- Industrial helical gearbox
- Machined sprocket with hardened teeth
- Selectable three value shear pin protection
- Galvanized steel frame



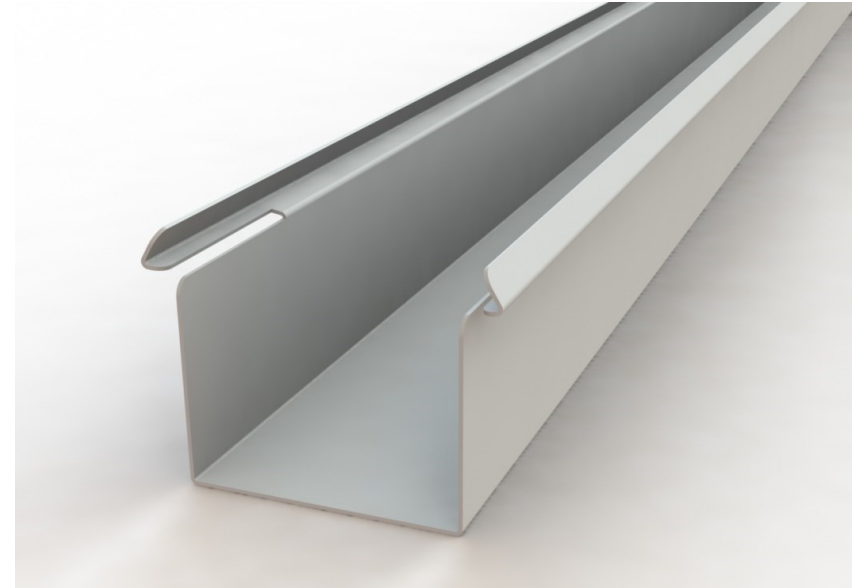
# 90 Deg. Corner

- **90 Deg. Corner** is used at four corners of the loop to change running direction of chain.
- With **reinforced nylon shaft sleeve**, Plasson 90 Deg. corner is low-noise, maintenance-free and can be flushed with water directly.
- **Transparent lid** allows customer to easily observe running condition of corner at any time.



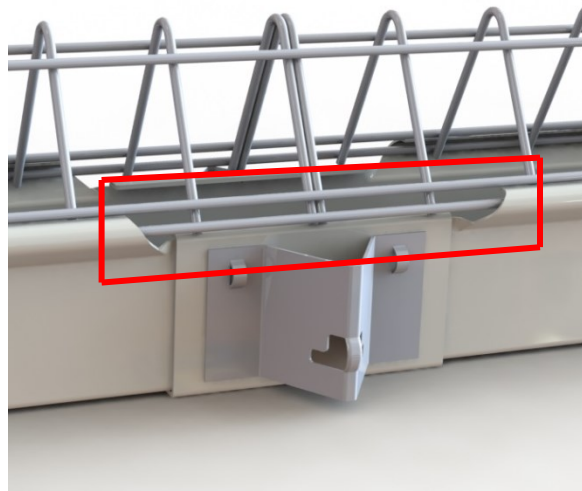
# Standard Trough

- High quality corrosion resistant with 1.2mm galvanized steel
- Guarantees accurate and smooth matching of all parts
- Special design of grill supporting edge; prevents grill falling off
- The shaping provides sufficient space for birds where they can eat from both sides without any stress



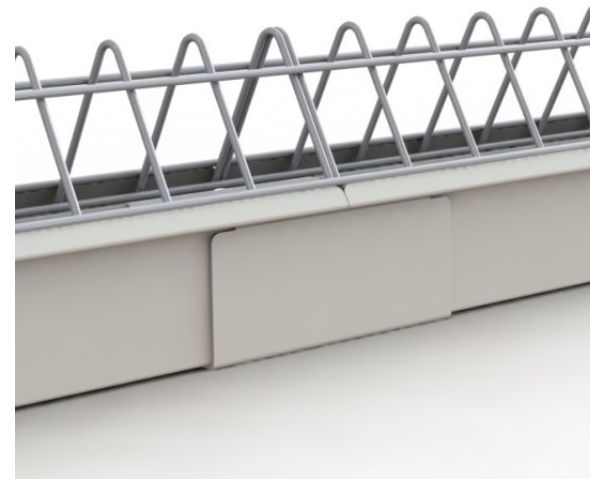


# Trough - Advantages



**Competitor's Trough**

Grill may hurt chicken neck



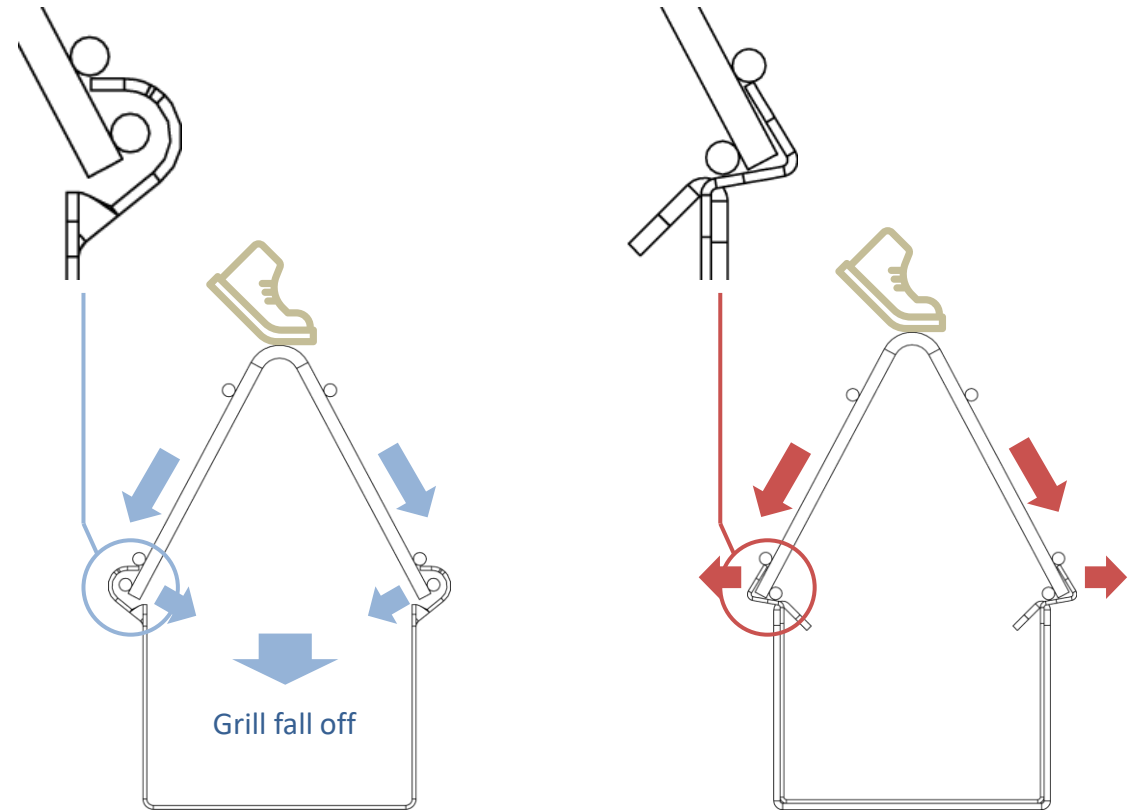
**Plasson Trough**

Grills are Fully enclosed

**Plasson trough** has fully enclosed structure design for holding grill to eliminate any potential danger of chicken neck hurt

# Trough - Advantages

With special designed profile, **Plasson trough** can hold grill tightly to prevent grill fall off into trough and damage the chain in cases such as stepping on the grill without caution or trough holders getting loose over time

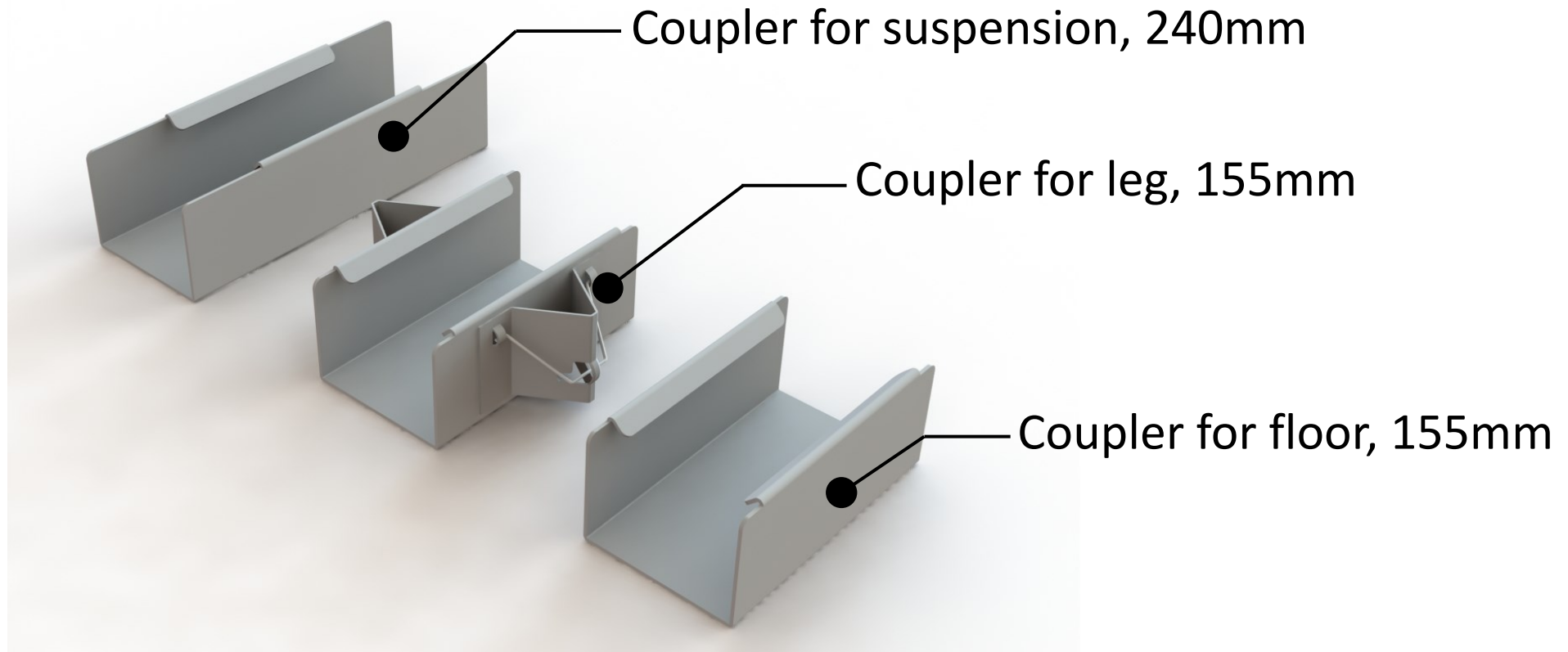


**Competitor's Trough**

**Plasson Trough**

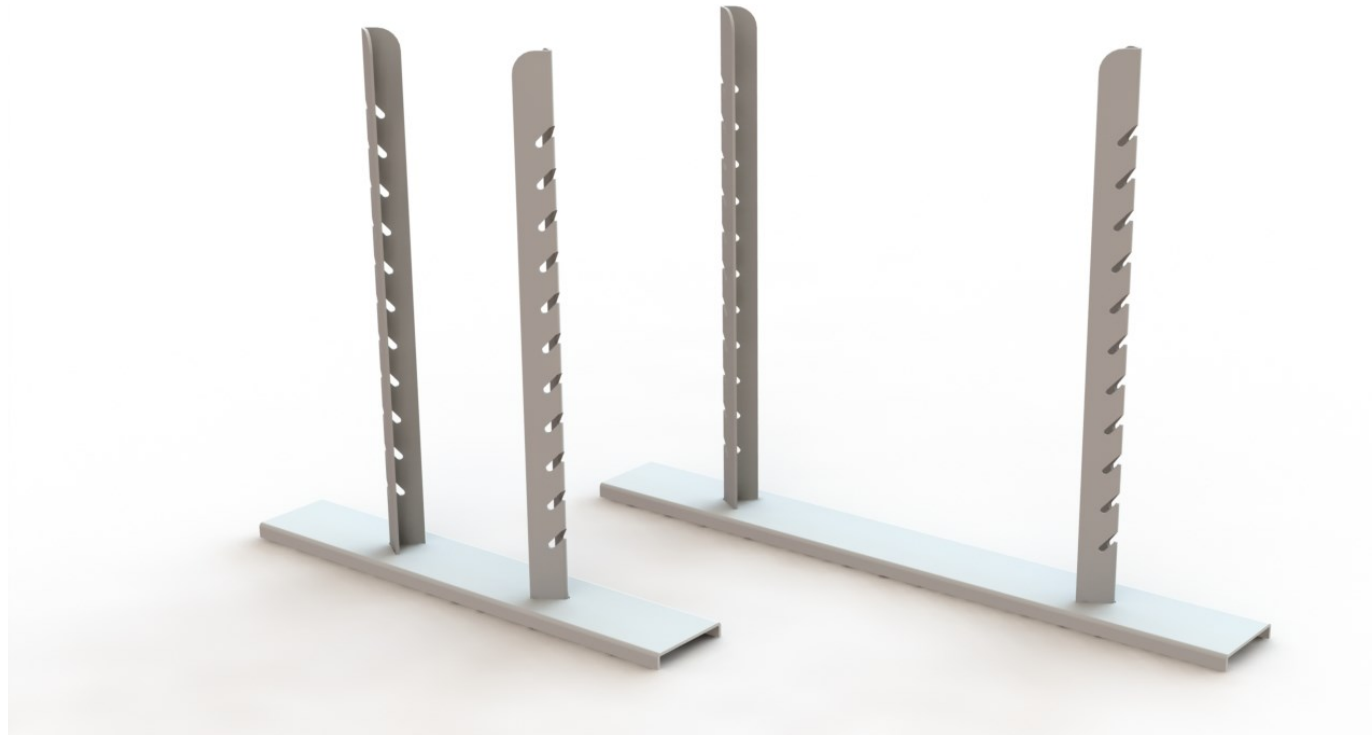


# Coupler for Suspension / Leg / Floor



All types of **Plasson Couplers** are around 20% longer than competitor's relevant couplers type for better & stable supporting

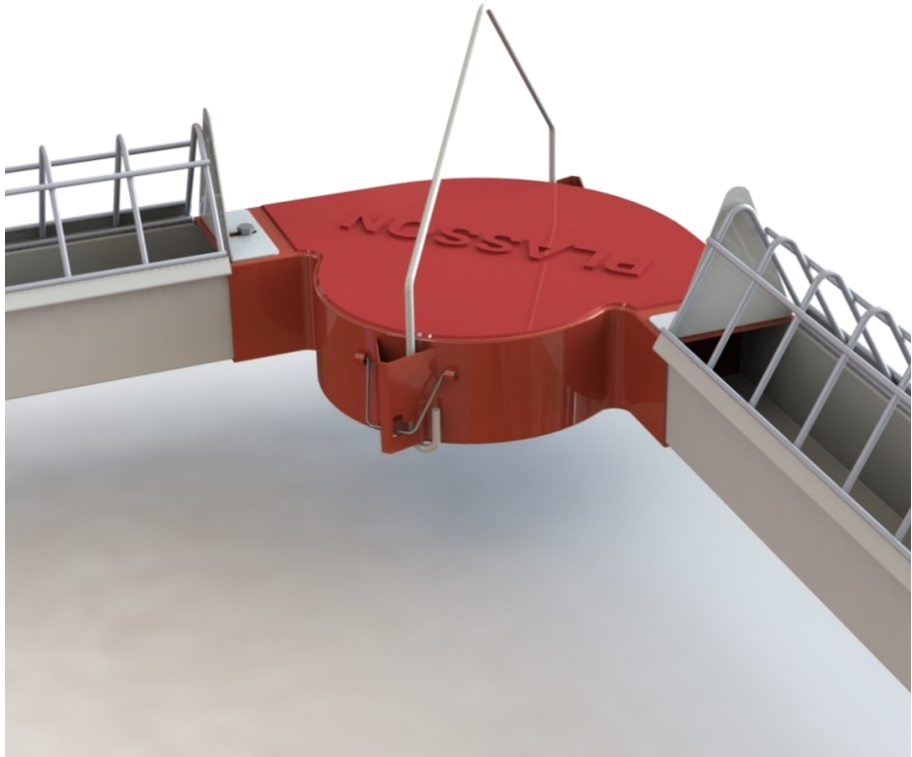
# Leg for Couplers / Corner



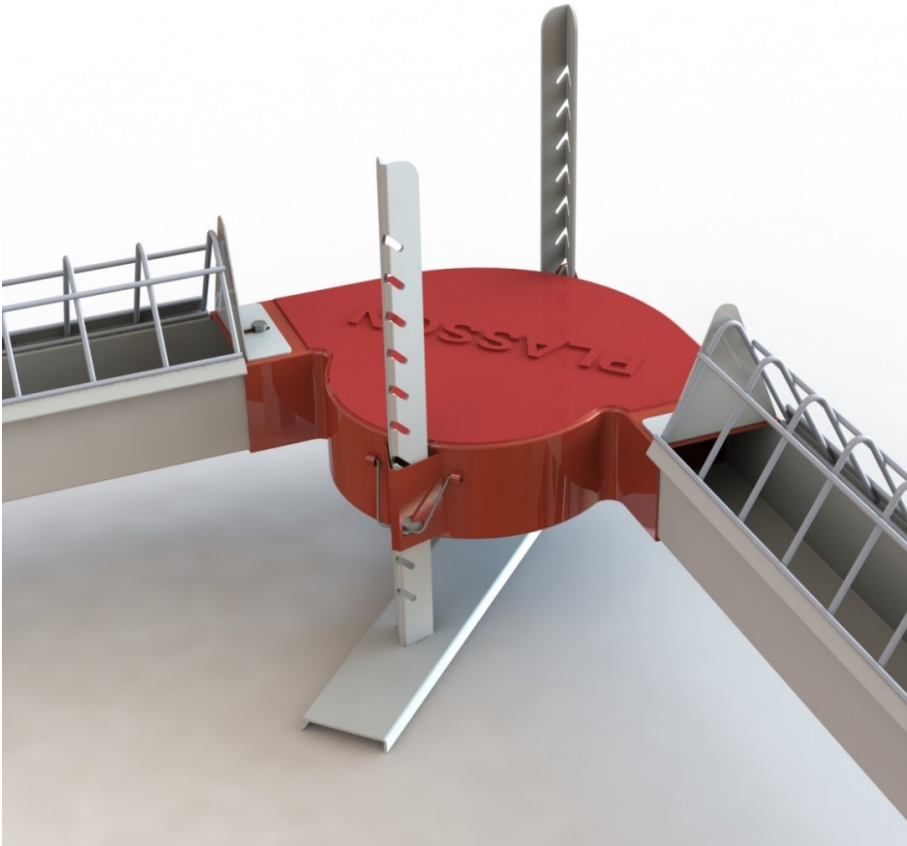
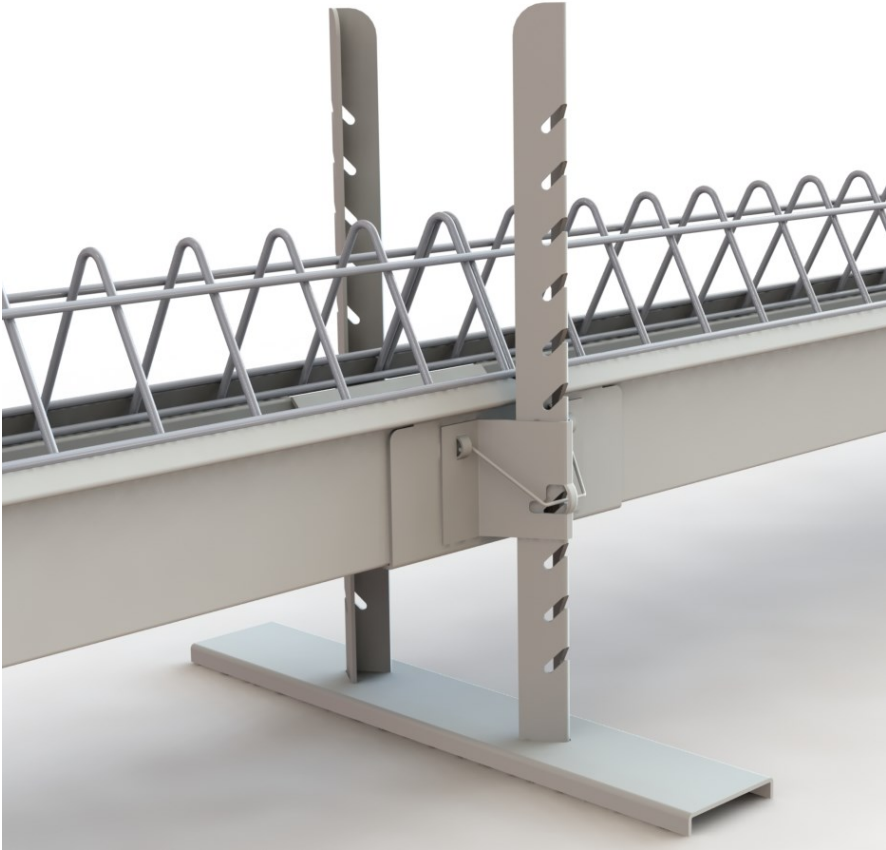
**Leg for couplers**

**Leg for 90 deg. corner**

# Installation Option: Suspended



# Installation Option: On-Leg

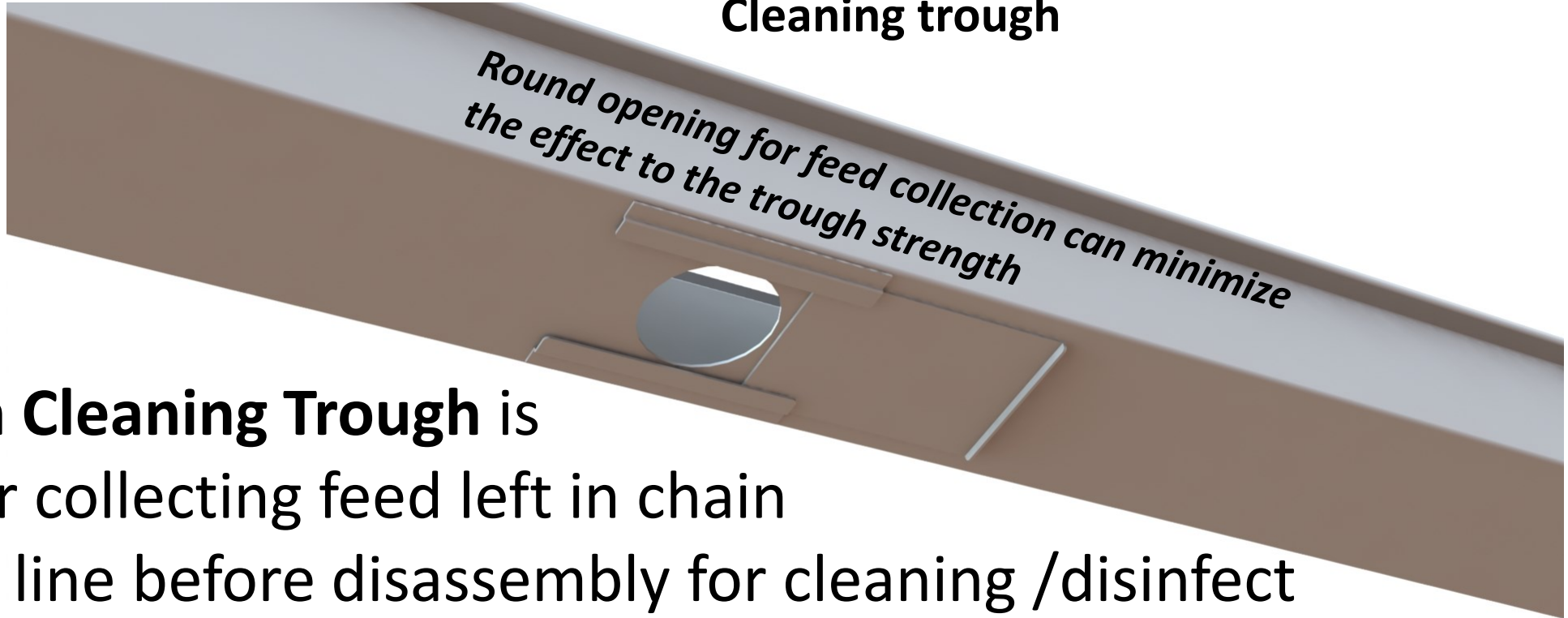


# Installation Option: On-Floor



# Cleaning Trough

Cleaning trough

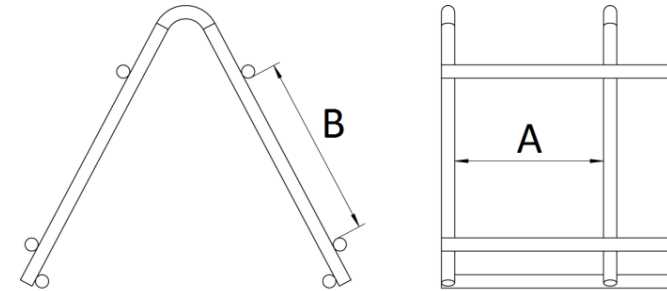


- **Plasson Cleaning Trough** is used for collecting feed left in chain feeding line before disassembly for cleaning /disinfect or for maintenance work.
- Usually, one cleaning trough opening is enough for one loop of chain feeding line.



# Restriction Grill

**Plasson Restriction Grill** has a wide range of restriction opening size for different chicken types. Special size is also available according to customer requirement



Code	Model	A(mm)	B(mm)
02340976	Grill 4555	45	55
02349041	Grill 4465	44	65
02349042	Grill 4560	45	60
02349040	Grill 4460	44	60
02349039	Grill 4360	43	60
02349038	Grill 4260	42	60

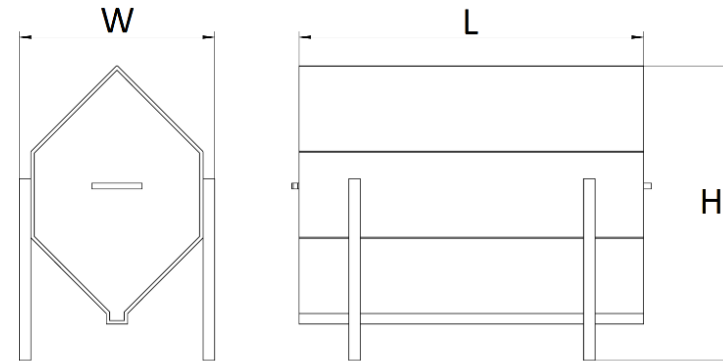




# Feeding Chain

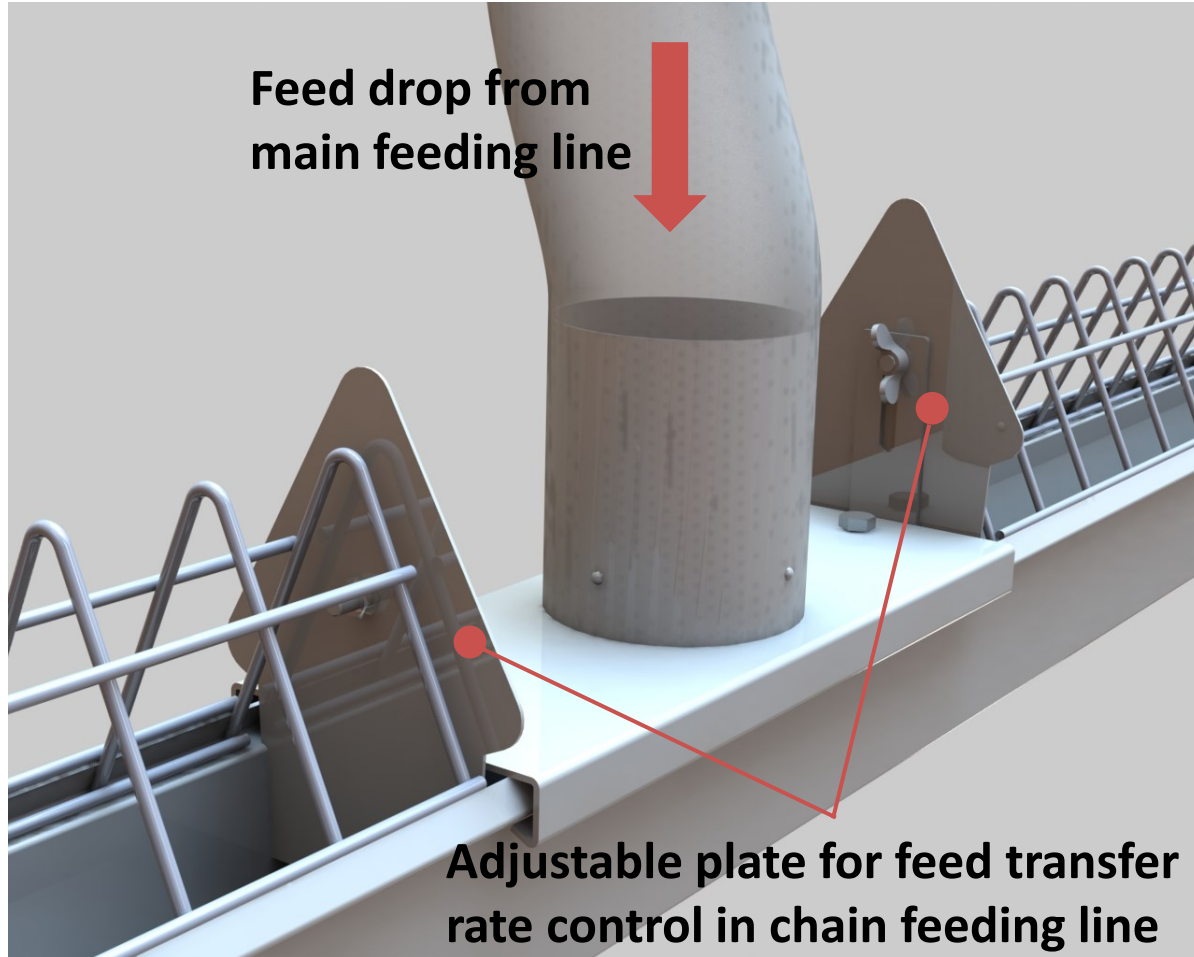


# Hopper



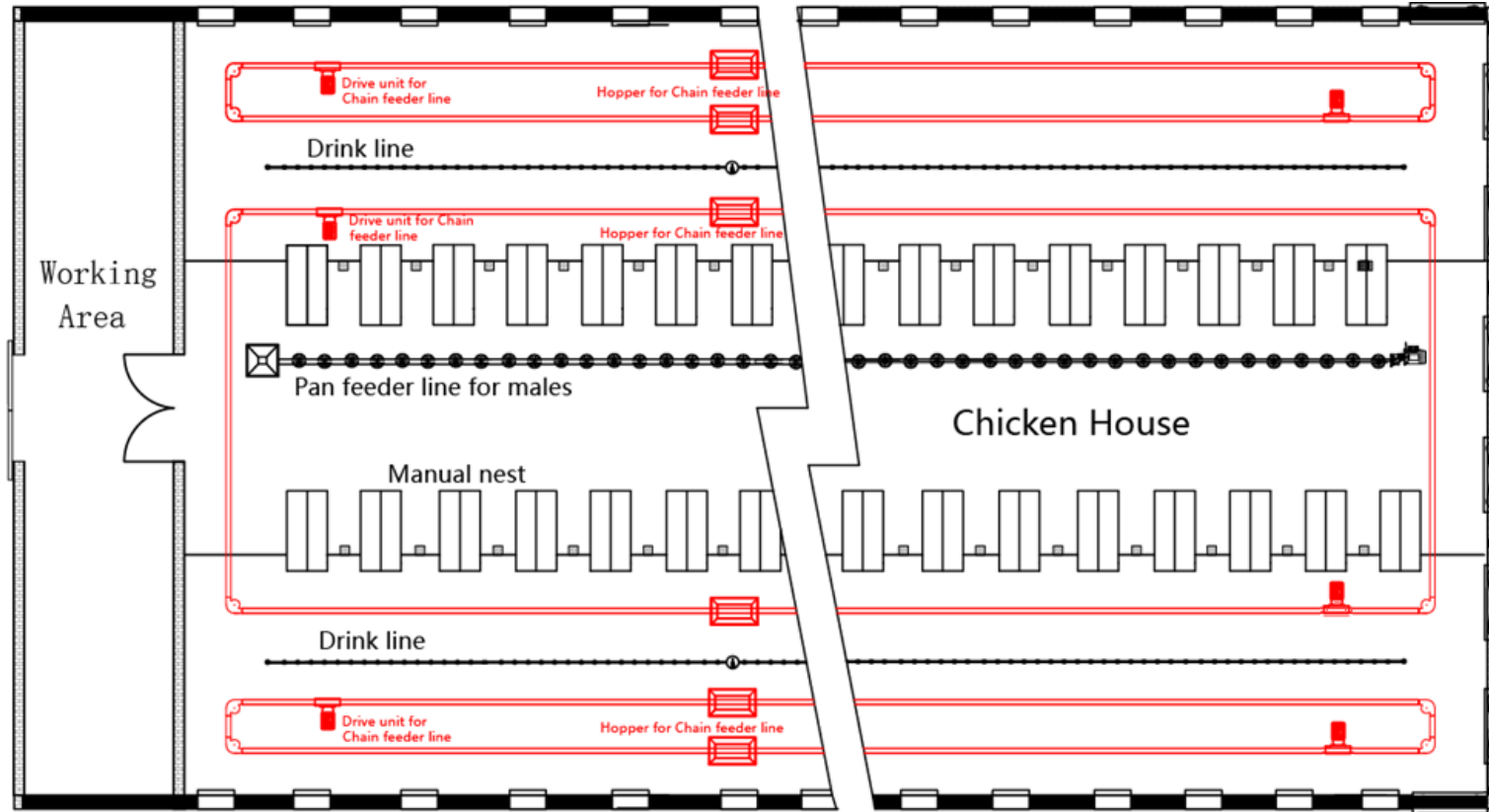
	Hopper 150kg 02349046	Hopper 260kg 02340977
W(mm)	600	600
H(mm)	900-1400	900-1400
L(mm)	700	1200

# Direct Fill



- Small boot is an alternative option for loading feed directly from main feeding line.
- It allows the chain feeding line to be suspended much higher than using hopper for feed loading.

# Positioning Example



**Please Note** - One drive unit is applied for one loop if chain length is less than 180m. Otherwise, two drive units are needed per each loop.



# Installation Photos





# Thank You



Feeding



Drinking



Climate



Housing